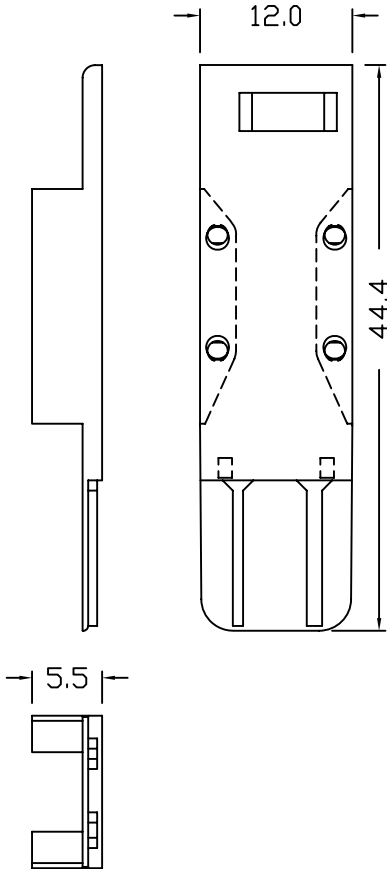
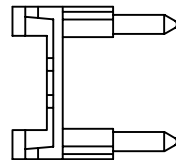
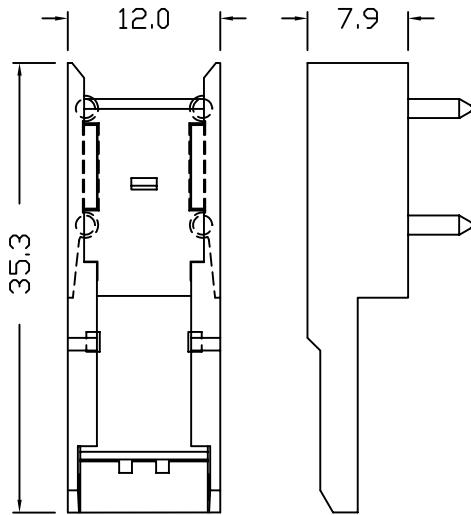


PRODUCT NO.
72395-0021 SEE NOTE 9

PRODUCT NO.
72395-0011 SEE NOTE 9

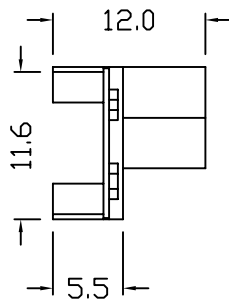
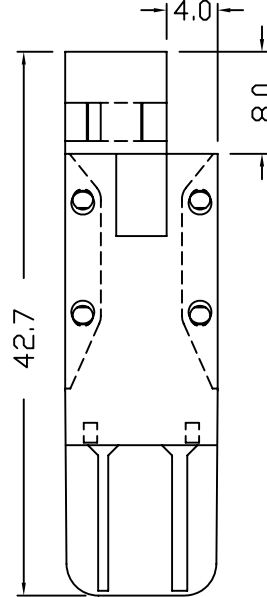
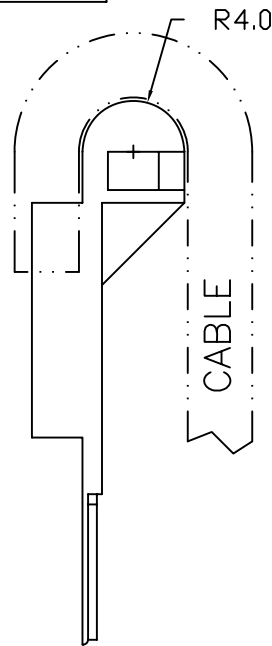
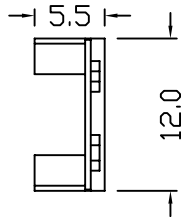
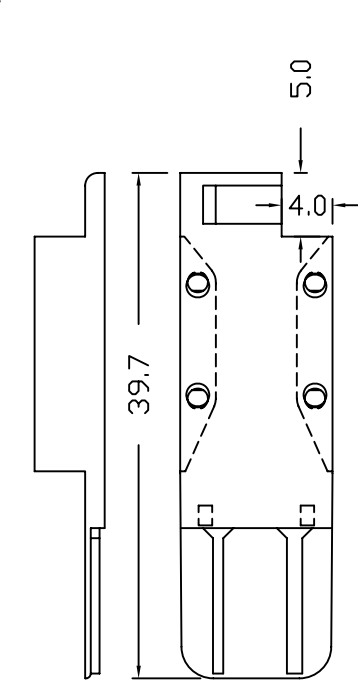


- NOTES:
1. SEE APPLICATION SPECIFICATION, GS-20-002, FOR INSTRUCTION ON WIRE INSERTION AND ASSEMBLY OF COMPONENTS FOR CONNECTOR USING THESE COVERS.
 2. COVERS 72395-0011 & 72395-0021 STANDARD PRODUCT THAT MATE WITH EACH OTHER. SEE SHEET 2 FOR SPECIALS.
 3. THE 72395-0111 COVER IS A SPECIAL THAT RESULTS IN A LOWER CONNECTOR HEIGHT. IT MATES WITH A 72395-0021 COVER. USE THE 72389 TYPE SHORT LATCH FINGERS WITH THIS COVER.

mat'l. code				surface		tolerance		projection		product family	
SEE NOTES				ASME Y14.5		ASME Y14.5		MM		METRAL CABLE	
ltr	ec'n no	dr	date	tolerances unless otherwise specified						title	
A	V71561	JRV	11/5/97	angles		X #3				4X6 COVERS	
B	V71674	JRV	12/12/97			XX #18				UNSHIELDED CABLE CONN	
C	V60808	JRV	6/16/98	0° ±2'		XXX #051		scale 1:1		sheet 1 of 2 size	
D	V12695	EPK	11/14/01	dr	J.R.VOLSTROF	6/16/98				dwg no	
E	V05-0594	VS	08/08/05	engr	J.R.VOLSTROF	6/16/98				72395	
F	V06-0613	JRV	2006-06-18	chr	J.R.VOLSTROF	6/16/98				A4	
				appd	J.R.VOLSTROF	6/16/98				type CUSTOMER Drawing	
sheet	revision	F	F								
index	sheet	1	2								

PRODUCT NO.
72395-0111

PRODUCT NO.
72395-0211



NOTES:

4. MATERIAL:
GLASS FILLED 612 POLYAMIDE,
UL 94V0.
5. THE 72395-0211 COVER IS A SPECIAL THAT ALLOWS THE CABLE TO BE REVERSED 180 DEGREES AS SHOWN AND TO BE SECURED IN THIS POSITION WITH CABLE TIES. IT MATES WITH A 72395-0021 COVER.
6. SEE CUSTOMER DRAWING 72476 FOR LIST OF OTHER COMPONENTS THAT ARE USED IN CONJUNCTION WITH THE STANDARD COVERS. THESE COMPONENTS ARE THE SAME AS ARE USED WITH THE SPECIAL COVERS LISTED HERE.
7. THE PRODUCTS WHERE THE PART NUMBER ENDS IN LF MEET THE EUROPEAN UNION DIRECTIVES AND OTHER COUNTRY REGULATIONS AS DESCRIBED IN GS-22-008 .
8. THESE PRODUCTS LISTED ON THIS DRAWING WILL NOT WITHSTAND WAVE SOLDER OR REFLOW OPERATIONS.
9. FOR LEAD FREE PART NUMBERS, ADD AN 'LF' SUFFIX. EXAMPLE 72395-0011LF.

mat'l. code		surface		tolerance		projection		product family	
SEE NOTES		ASME Y14.5		ASME Y14.5		MM		METRAL CABLE	
ltr	ecn no	dr	date	tolerances unless otherwise specified				title	
F				angles	X ±3	MM		4X6 COVERS	
				0' ±2'	XX ±.18	scale 1:1		UNSHIELDED CABLE CONN	
					XXX ±.051	FCI		dwg no	
		dr	J.R.VOLSTROF	6/16/98				sheet 2 of 2	
		engr	J.R.VOLSTROF	6/16/98				size	
		chr	J.R.VOLSTROF	6/16/98				72395	
		appd	J.R.VOLSTROF	6/16/98				A4	
sheet	revision								
index	sheet								